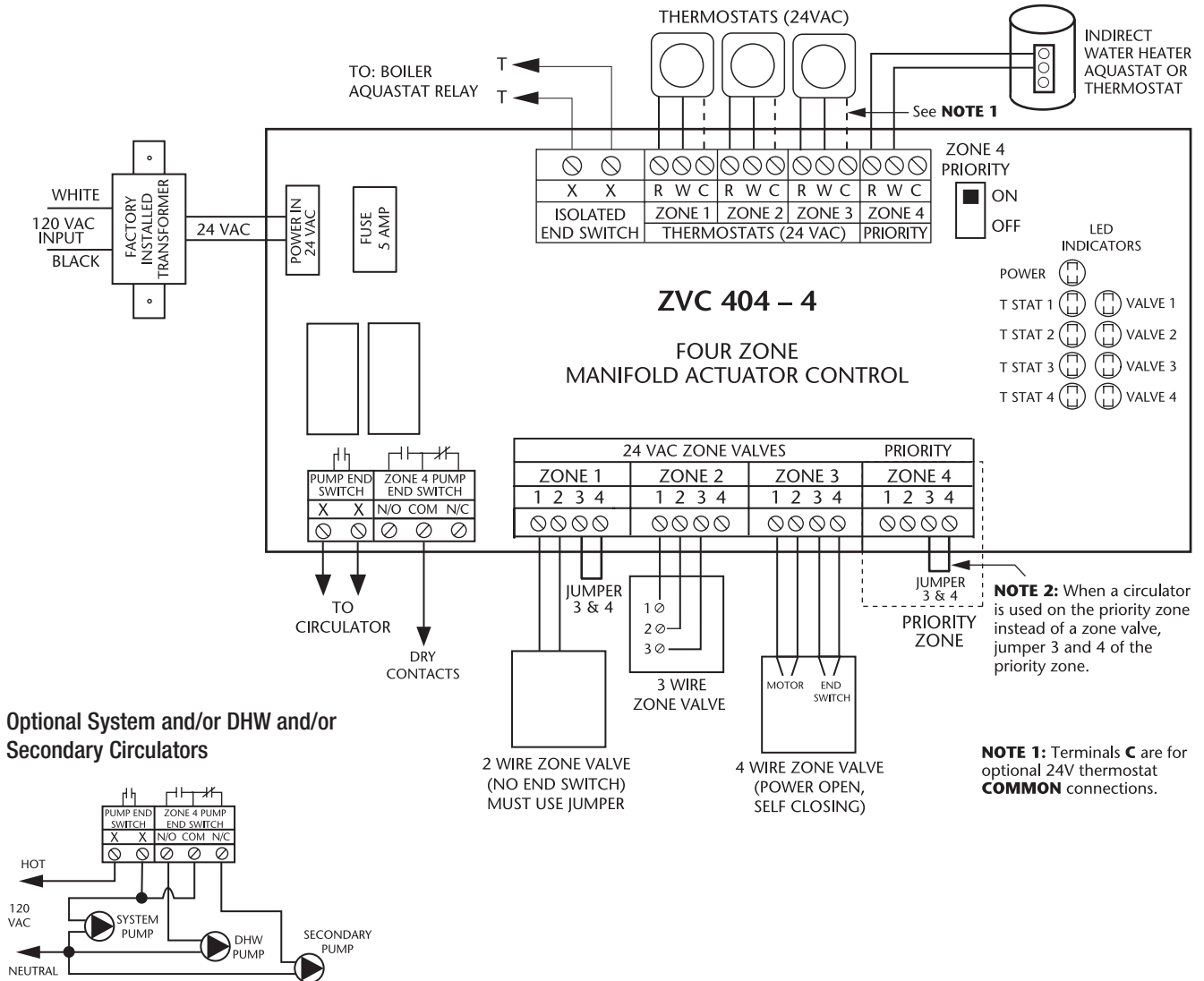


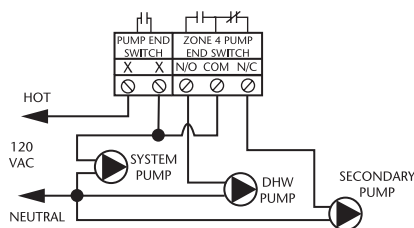
# INSTRUCTIONS FOR 4 MANIFOLD ACTUATOR CONTROL

ARTICLE NO. 298276-001

## Wiring Diagram



### Optional System and/or DHW and/or Secondary Circulators



**Operation/External Diagnostics:** When any thermostat calls for heat, the appropriate zone valve is energized and the yellow light goes on. When the zone valve is fully open, the red light goes on and energizes the end switch relay. The green light should always be on, indicating that power is connected.

**Priority Operation:** When zone 4 is switched to the priority setting and is actuated, all other zones will stop operation until zone 4 is satisfied. When zone 4 is not switched to priority, all zones will operate independently. Note: When a circulator is used on the priority zone instead of a zone valve, jumper 3 and 4 of the priority zone.

**Priority Protection Operation:** When the priority zone calls continuously for more than one hour, power is returned to all the other zones, allowing each zone to function independently. Once the priority zone is satisfied, the control's auto-reset is activated and the priority zone is again allowed to have priority for up to one hour starting from when it calls next.

For updates to this publication, visit [na.rehau.com/resourcecenter](http://na.rehau.com/resourcecenter)

The information contained herein is believed to be reliable, but no representations, guarantees or warranties of any kind are made as to its accuracy, suitability for particular applications or the results to be obtained therefrom. Before using, the user will determine suitability of the information for user's intended use and shall assume all risk and liability in connection therewith. © REHAU 2012

**Specifications:**

Product Number	Number Of Zones	Input Voltage	Maximum 24 VAC Output @ 25°C	Type 1 Enclosure		
				Width	Height	Depth
ZVC404-4	4 With Priority	120/60/1 VAC, 1.5A	24 VA per Zone 40 VA Total	10 3/4"	7"	2 3/4"

The pump end switches are rated 1/6 hp, 5 amps at 120 VAC. The main and priority end switch connections are rated 24 VAC, 1 amp. All thermostat and zone valve connections supply a 24 VAC class 2 output.

**WARNING:** Wiring connections must be made in accordance with all applicable electrical codes. Use copper wire only. 120 VAC wiring must have a minimum temperature rating of 75°C. Failure to follow this instruction can result in personal injury or death and/or property damage. 12-18 gauge wire recommended for 120 VAC connections, 14-22 gauge wire for thermostat connections, and 14-22 gauge wire for 24 VAC source connections.

This device complies with part 15 of the FCC Rules. Operation is subject to the following two conditions: (1) This device may not cause harmful interference, and (2) this device must accept any interference received, including interference that may cause undesired operation.

**Features:**

- External Indicator Lights
- Switchable Priority
- Priority Protection

- Simplified Wiring
- Works with 2, 3, or 4-Wire Zone Valves
- Compact Design
- Fuse Protected

- 100% Factory Tested
- Isolated End Switch
- Extra Set of Dry Contacts
- Contractor Friendly PC Board Layout

- Universal Thermostat Compatibility
- UL Approved
- Sturdy Screw Connections

**Two ZVC403–ZVC406 Manifold Actuator Controls Connected Together with System Pump**

